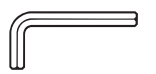
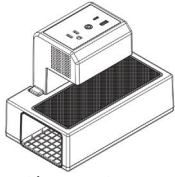


Tools Required:

8mm Hex Wrench



In the Box:

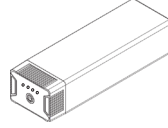


Clamp-On
Desktop Charging Unit

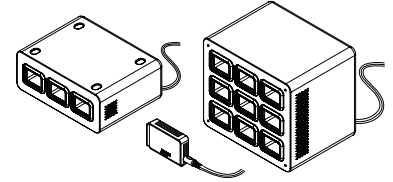


8 mm Hex Wrench

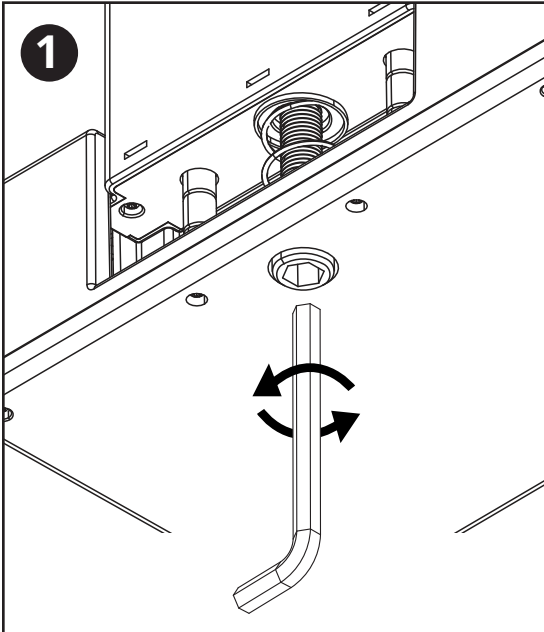
Ships / Sold Separately:



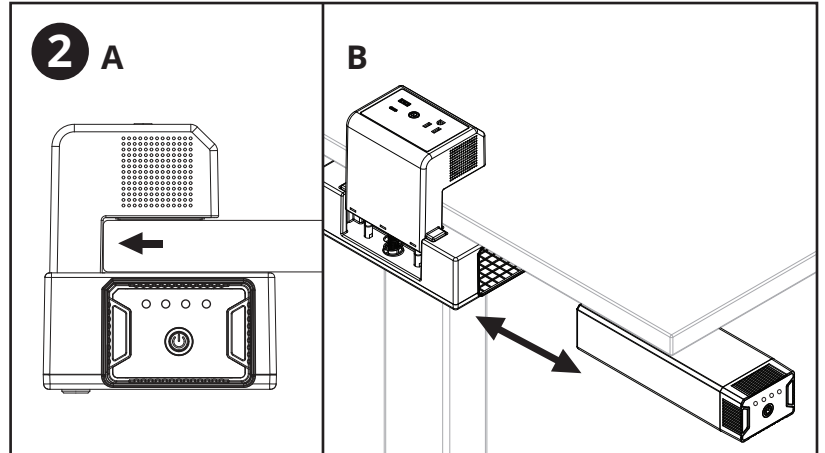
Rechargeable Battery



Battery Charging Options

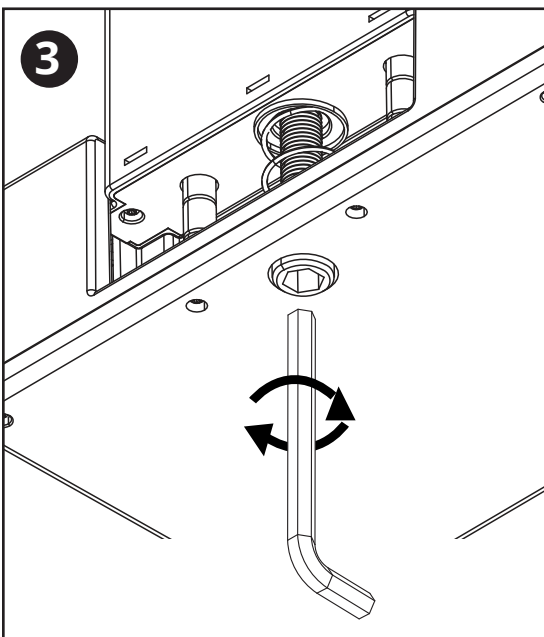


1
Open Clamp-On Desktop Charging Unit
clamp by loosening 8 mm bolt.

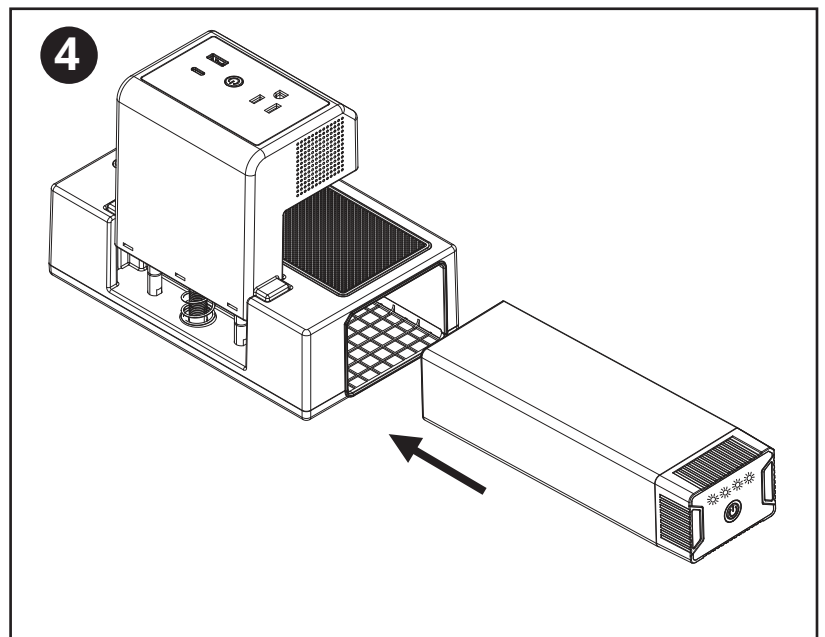


2 Test clamp fit by sliding clamp over edge of desk or table.

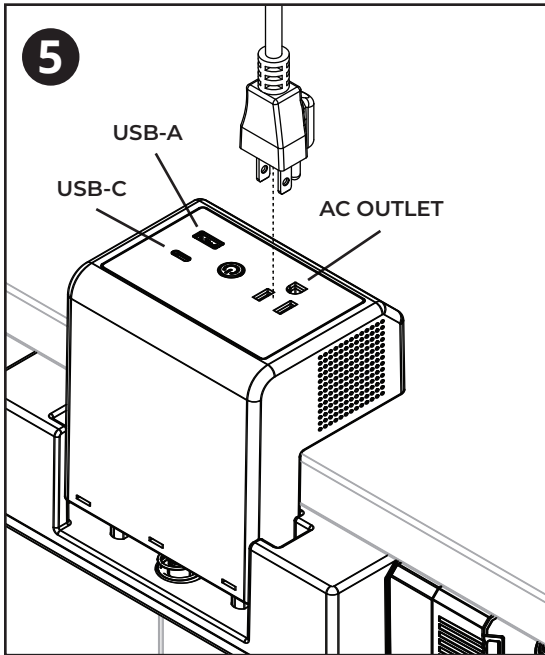
- Ensure outer edge of desk fully reaches inner edge of clamp.
- Ensure there is adequate clearance to insert and remove Rechargeable Battery.



3
Tighten bolt until clamp fits snugly on desk.
IMPORTANT: Do not over-tighten bolt.

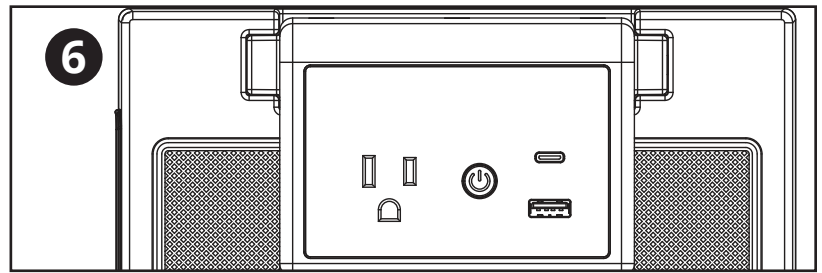


4
Insert Rechargeable Battery into Clamp-On Desktop Charging Unit.
IMPORTANT: Battery must be fully charged before first use.



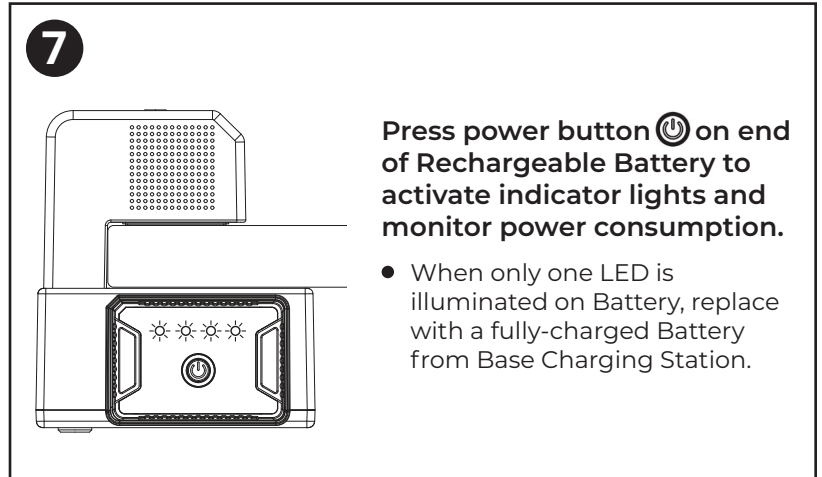
5
Plug devices into corresponding AC outlet and USB ports.

IMPORTANT: Plug a maximum of one device into each corresponding outlet/port. Do not use a splitter to plug multiple devices into one outlet and/or port, as this will damage the Rechargeable Battery and Clamp-On Desktop Charging Unit.



6
Press power button  on top of clamp to activate AC outlet and USB ports.

- The AC outlet and USB ports will not power devices unless the power button is turned on and glowing green.
- If no devices are drawing power, after three minutes the power save function will activate and automatically turn the power switch off



7
Press power button  on end of Rechargeable Battery to activate indicator lights and monitor power consumption.

- When only one LED is illuminated on Battery, replace with a fully-charged Battery from Base Charging Station.

TROUBLESHOOTING & USE

Power Button Flashing Green*

1. Reset Clamp-On Desktop Charging Unit by unplugging device(s) and pressing power button.
2. Plug device in again. If power button continues to flash, device is not compatible with EdgePower and should not be used.

*Indicates a safety feature has been triggered by a device.

Device Not Charging when Plugged into AC Outlet or USB Ports

1. Confirm power button has been pressed and green light is on.
2. Check the Rechargeable Battery's indicator lights for power level.
3. Recharge Battery if one or fewer indicator lights are illuminated.

Power Save Function

To maximize battery life, this charging unit features an automatic power save function. If you turn the power switch on (so it's glowing green) and no devices are drawing power, the power switch will automatically turn off after three minutes.

NOTE: The function operates based on whether a device is actively drawing power from the battery, not whether a device is plugged in or not. For example, the power save function will activate even if:

- You have a phone cord inserted into a USB port that's not connected to a phone.
- You have a laptop plugged in that has fully charged and stopped drawing power for more than three minutes.

If the power save function has activated (the green light is not glowing), you can turn power back on by pressing power button.